



# Manual Instrument Table

## *Rondo*

Manual as of 2012  
Update: Januar 2017  
Subject to modifications and amendments!

---

Block Optic Ltd.  
Semerteichstr. 60 Phone: +49(0) 231 / 10 87 78 50  
D- 44141 Dortmund Fax: +49(0) 231 / 17 63 065 email: [info@block-optic.com](mailto:info@block-optic.com)

---

## Index

1 Device Specifications.....	3
2 Important information for assembly, use, maintenance and repair.....	6
3 Packaging.....	7
4 Scope of supply and system components.....	8
5 Operation and Safety precautions.....	9
6 Maintenance, cleaning, care and disposal.....	10
7 Technical Data.....	11
8 E.G.-Declaration of Conformity.....	14

Thank you very much for your confidence which you expressed by purchasing this instrument table. With our *Rondo* you have chosen a modern fully developed product which has been produced and tested according to strict quality criteria. Continuous research and development might lead to changes in version and scope of supply. The figures in this instruction manual might therefore be slightly different in some cases. If you have any questions or need further information regarding the unit, please don't hesitate to call us or send a fax. Our service team will be glad to help you.

# 1 Device Specifications

**Device Type:** *Rondo* Instrument table

**Manufacturer:** Block Optic Ltd.  
Semerteichstr. 60  
44141 Dortmund  
Germany

## Intended

**Applications :** *Rondo* is an instrument table for integration of ophthalmologic and optical devices. The instrument table *Rondo* is used for optometry and ophthalmology.

## Unintended

**Applications:** Other applications as those described above are prohibited. Unpredictable hazard can come up during unintended use. The motor is not intended for permanent up and down movements with the vertical adjustment. After continuous operation of 1.5 minutes it must be cooled down for at least 8.5 minutes. A continuous operation of the vertical adjustment for more than 1.5 minutes can lead to a defect of the vertical adjustment. During routine operation the required cooling period is achieved automatically.

**Scope of supply:** *Rondo* can be delivered with various equipment. The actual scope of supply is listed in detail in the delivery note.

**Safety Remarks :**

- a) Please read the instruction manual carefully and make yourself acquainted with all functions before you start to operate the device.
- b) Don't change anything at the instrument table by yourself as this might impact the safety and leads to the expiry of the warranty.
- c) This instrument table is not intended for use in areas with risk of explosions.
- d) Do not operate the instrument table if you observe visible damages. Breakdowns which have impact on the safety need to be repaired immediately. In this case, please contact an authorized service technician at Block Optic
- e) Only use original accessory parts for the *Rondo*.
- f) Accessories which will be connected with the electric supply of the instrument table need to be proven to comply

with the appropriate DIN EN or IEC specifications. Furthermore all configurations have to comply with the requirements of the system standard DIN EN 60601-1-1 (IEC 601-1-1) and its modifications. Coupling of non-medical devices (e.g. data processing devices) to a medical electronically system such as the instrument table must not lead to a safety degree for patient, user, and the environment which is beyond DIN EN 60601-1-1 (IEC 601-1-1) and its modifications. If the admissible leakage current is exceeded by the coupling, protective measures according to the system standard DIN EN 60601-1-1 (IEC 601-1-1) and its modifications need to be provided. After installation or later modifications the system must not put any risk to the patient, the user or the environment.

**Liability of  
Manufacturer :**

The device has been manufactured according to the latest technical development and acknowledged technical safety directives. Block Optic considers itself responsible for any impact on safety, reliability and performance of the device only if:

- Mounting, extensions, readjustments, modifications or repairs are carried out by authorized persons,
- the electric installation of the concerned room complies with the requirements of VDE 0100-710 and
- the device is used according to the instruction manual.

**Responsibility of  
User:**

The user is responsible for:

- Compliance with standards for prevention of accidents and the directives for establishment, operation and application of medical devices (Medical Device Operating Directive)
- Operation,
- Maintenance,
- Duly and safe condition of the product and
- Storage of the instruction manual and the technical appendix at the usage site.

**Warranty :**

The General Terms and Conditions of Block Optic are effective as the basic principle.

**Text Accentuation:** Important parts of the text in the instruction manual are marked by accentuations and key words. The following accentuations are used in the actual instruction manual:

**Caution!**

Indicates a potentially hazardous situation. Please note such precaution measures to prevent any damage from patients or objects.

**Important!**

Indicates important information. Please read this information to maintain the high safety and function level of the device.

**Special note!**

Indicates information for proper usage. Please read this information to avoid any misuse.

## 2 Important information for assembly, use, maintenance and repair

The instrument table *Rondo* should only be set up and mounted by the company Block Optic Ltd. or by authorized technicians of Block Optic!

Repair and maintenance work may only be carried out by the company Block Optic Ltd. or by trained service technicians.

Repair work practicable by yourself is described in chapter 6: Maintenance, cleaning, care and disposal.

### Required space:

The electric supply 230 V of the instrument table and the power supply of the electric devices on top of the *Rondo* are carried out through an built-in isolated ground receptacle. The power switch will illuminate when switched on but is no index for the correct function of the electrical outlet or the lifting motor.

If there are any problems with the electric supply for table devices or the lifting motor, please check the correspondent fuse!

**Important!**

Use only the prescribed fuse types!

### 3 Packaging

The *Rondo* instrument table can if necessary be supplied packaged in a special transportation box:

**Dimensions (L/W/H):** variable, depending on extra equipment.

**Weight:** variable, depending on extra equipment, approx. 28 - 38 kg

When the packaging boxes are delivered, please check for external damage and observe the enclosed freight information!

**Special note!**

Please ensure that you remove all component parts belonging to the instrument table!

To set up the instrument table you only need the tools of a service technicians. No special tools are required.



## 4 Scope of supply and system components

The *Rondo* instrument table comprises of different components which can be sensible combined. The development and design of the *Rondo* achieves in the optimal composition as an instrument table used for optometry and ophthalmology. You can choose between a symmetrical and asymmetrical instrument table with an v-shaped or standard table top. This table top can differ in thickness, surface and size. The instrument table *Rondo* is equipped with following accessories.

1. On/off switch via green signal lamp;
2. Large push-button for up and down movement of the lifting motor;
3. Lifting motor (with fuse 4 AT);
4. Set of four casters, (adjustable in height approx. 1 cm) and
5. Four Schuko power sockets for the table top devices, separately protected (2 AT) (operated through on/off switch).

Smooth running casters with breaks are optional available.

Through the optimal use of the table top with special devices as well as the continuous height adjustment, an optimal and easy examination is possible. The operating elements of the instrument table *Rondo* are ergonomically situated on the practitioner's side.

## 5 Operation and Safety precautions

### Operation:

The turning on and off the instrument table as well as the installed devices on top of the table (if they are connected with the *Rondo*) are carried out via the green signal lamp. The height adjustment is easily carried out via the ergonomically placed large push-button.

The *Rondo* is equipped with two Schuko power sockets for the table top devices, they are separately protected through a 2 AT fuse.

### Safety precautions:

Please keep in mind that during each height adjustment the patient is not exposed to hazard.

## 6 Maintenance, cleaning, care and disposal

For maintenance and care of the installed examination devices/ supply products please follow the directions of the concerning instruction manual.

### **Repair work practicable by yourself:**

Before exchanging a fuse in the unit must be separated from the power supply, therefore switch off both main switches (wall connection box and keyboard). Use only the prescribed fuse types and ratings. For more information, see technical appendix.

### **Maintenance and Safety Inspections (STK):**

To ensure the high safety standard and high quality of the instrument table *Rondo* we recommend a regular maintenance. Please contact an authorized Block service technician.

For the instrument table *Rondo* we keep up to 10 years after the date of purchase spare parts on stock. After this period maintenance and repair work can be conducted contingently with original part.

Following maintenance should be conducted yearly through authorized Block service technician:

- Checking the condition of every external connecting wire (Inspection for isolation damage),
- General check up of proper function,
- STK and MTK after Medical Devices Act (MPG).

### **Maintenance and care:**

**Important!**

Turn off both main switches even when cleaning with a damp cloth. Leave the appliance to dry out completely before using again.

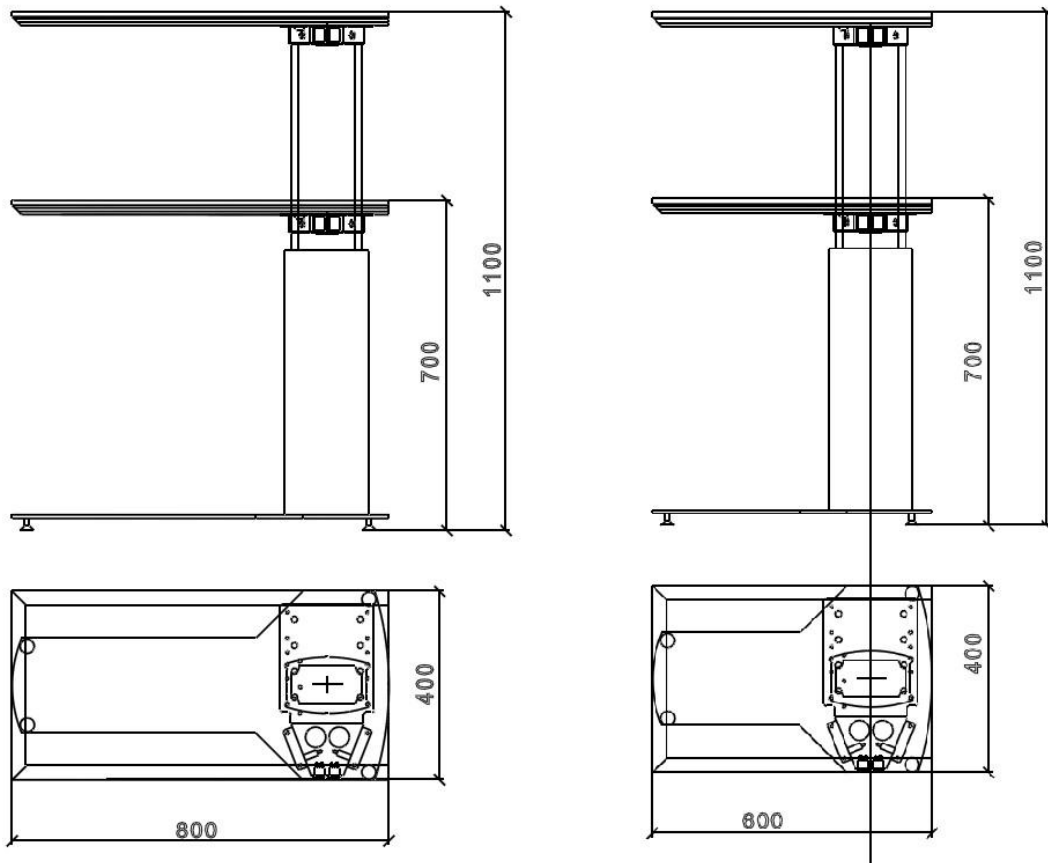
We recommend cleaning the coated surfaces with a cloth moistened (never dripping wet). Please do not use any abrasive or aggressive cleaning supplies. Make sure that no moisture gets in between the keyboard keys. It is advisable to protect the instrument table against dust with a protective hood at the end of each working day, simply because open measuring and examining instruments are inherently sensitive to dust.

### **Waste disposal:**

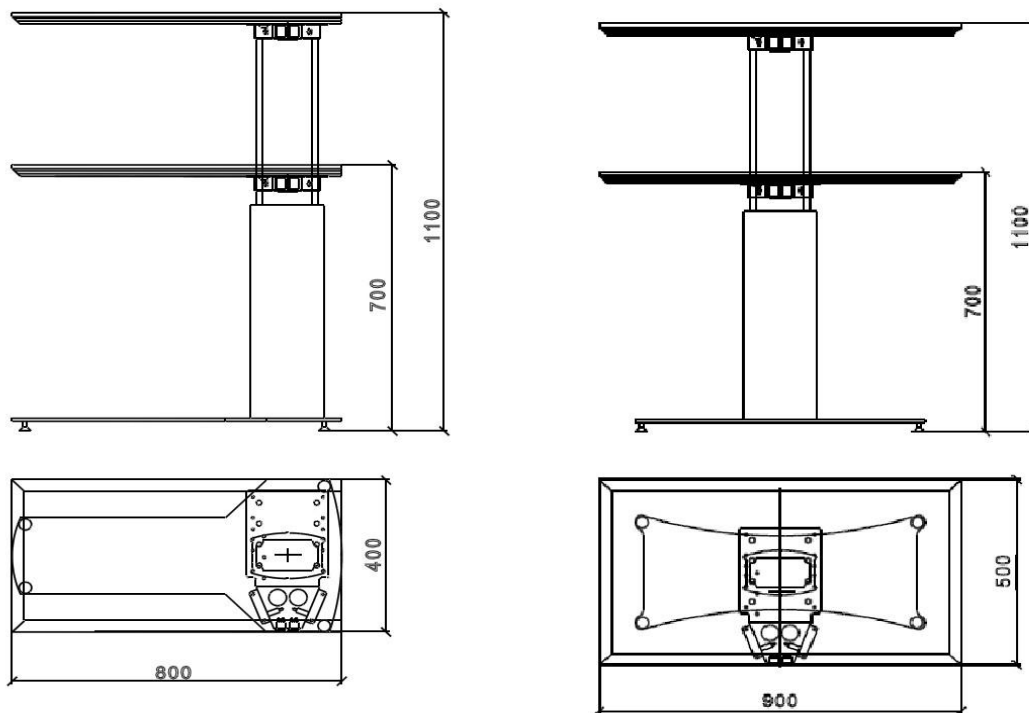
The instrument table *Rondo* contains devices, which cannot be disposed in domestic waste. Please authorise for this purpose a waste management enterprise.

## 7 Technical Data

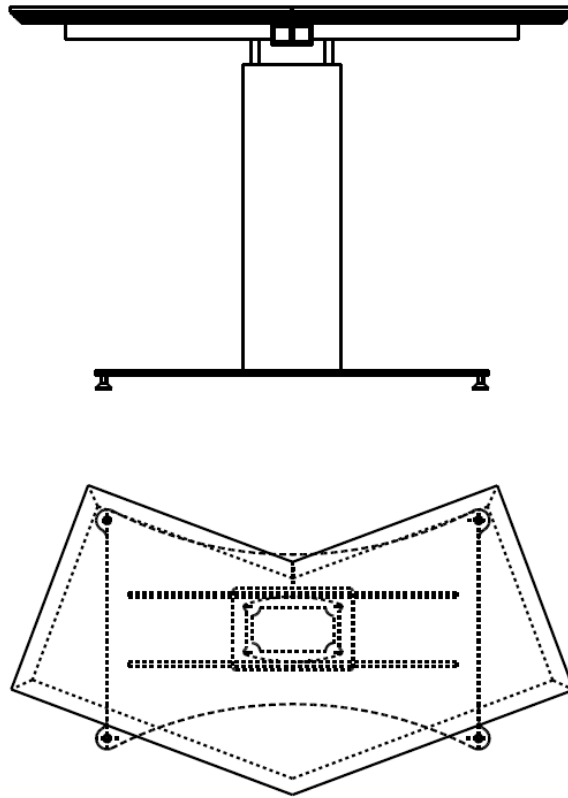
- Required Space:**      **Asymmetrical *Rondo*:**  
Small table top: L/B: 600 mm x 400 mm  
Large table top: L/B: 800 mm x 400 mm  
**Symmetrical *Rondo*:**  
Small table top: L/B: 600 mm x 400 mm  
Large table top: L/B: 900 mm x 500 mm  
**V-shaped table top:** depending on equipment,
- Gross Weight:**      variable, depending on equipment,
- Mains Voltage:**      Please look at type label! 230 V 50/60 Hz
- Power Consumption:** 1500 VA plus all the external consumers connected up
- Connection**
- Requirements:**      230 V / 50 Hz isolated ground receptacle
- Operating conditions:** Temperature of the environment between +10 °C and +40 °C  
Relative humidity between 30 % and 75 %  
Air pressure between 700 hPa and 1060 hPa
- Height adjustment of the chair:**      Not intended for permanent operation!  
Continuous up and down movements must not exceed 1.5 minutes. Cool down device for at least 8.5 minutes.



*Illustration 7.1: Dimensions of the asymmetrical Rondo*



*Illustration 7.2: Dimensions of the symmetrical Rondo*



*Illustration 7.3: V-shaped Rondo*

## 8 E.G.-Declaration of Conformity

For the following named products instrument and lifting table by Block Optic Ltd.

### **RONDO and EXCLUSIV**

it is confirmed that the products meet the requirements as determined by the European Community:

89/336/EWG                      electromagnetic compatibility,  
93/42/EWG                      medical products.

Evaluation of the products complies with the standards listed below:

EN 60601-1:2006              Medical electrical equipment,  
EN 55011                      Emission of electromagnetic interference,  
IEC 801                      Immunity from electromagnetic interference.

This declaration in responsibility for the manufacturer:

Block Optic Ltd.  
Semerteichstr. 60  
44141 Dortmund  
Germany

The instrument tables are labelled with:



Is submitted by:  
J. Grawunder, Manager

Dortmund, 1. Januar 2016

\_\_\_\_\_  
(Place, Date)

  
\_\_\_\_\_  
(Legal signature)



# CERTIFICATE



## ISO 9001:2015

DEKRA Certification GmbH hereby certifies that the company

### Block Optic Limited

**Scope of certification:**

Development and production of ophthalmic and optical examination units and chairs

**Certified location:**

D-44141 Dortmund, Semerteichstraße 60  
D-46342 Velen, Industriestraße 6

has established and maintains a quality management system according to the above mentioned standard. The conformity was adduced with audit report no. A15170393.

This certificate is valid from 2016-07-02 to 2019-07-01

Certificate registration no.: 50716344

  
Lothar Weimofen  
DEKRA Certification GmbH Stuttgart; 2016-07-02

